

HY602401

Electrical Specification @25°C

RoHS Compliant (PB Free)

Isolation: 1500Vrms (Primary to Secondary)

OCL: 350uH Minimum @100KHz 100mV with 8mA DC

Insertion Loss: -1.0dB Maximum @1MHz ~ 100MHz

Return Loss: -18dB Minimum @1MHz ~ 30MHz

-14.4dB Minimum @40MHz

-12dB Minimum @60MHz ~ 80MHz / -10dB Minimum @100MHz

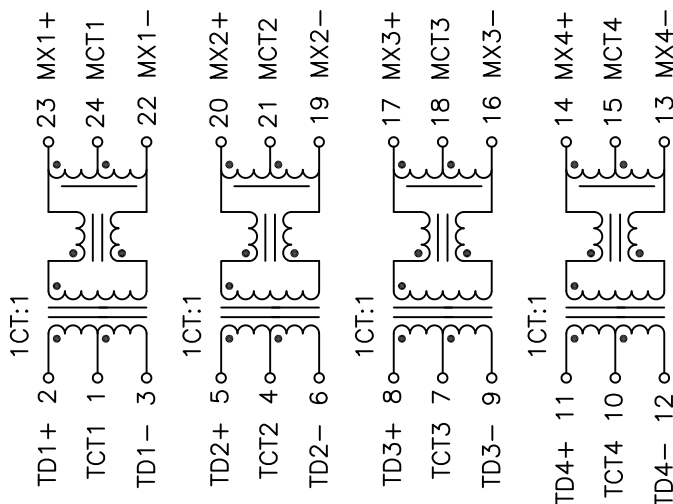
Differential to Common Mode Rejection: -43dB Minimum @30MHz

-37dB Minimum @60MHz / -33dB Minimum @100MHz

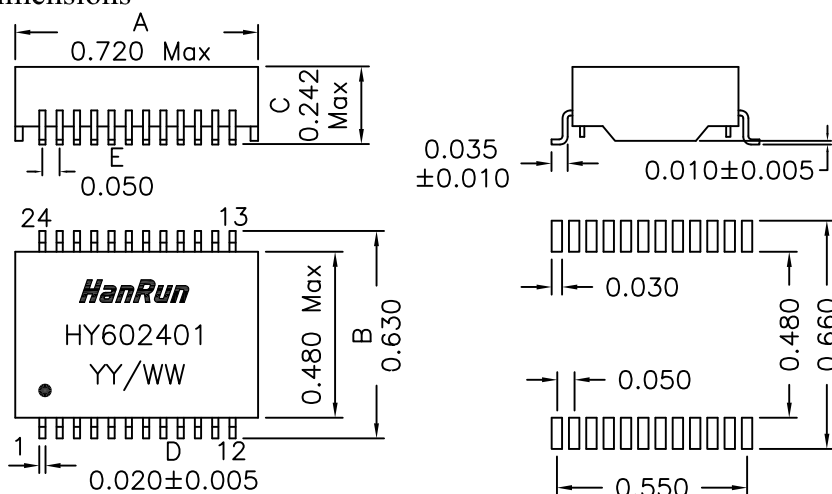
Crosstalk: -40dB Minimum @100KHz ~ 60MHz

-35dB Minimum @60MHz ~ 100MHz

Schematics



Mechanical Dimensions



Dimensions in inches

Unless otherwise specified, Tolerance: .xxx ±0.010

(SUGGESTED PCB PAD LAYOUT)

REV.B

1 of 1